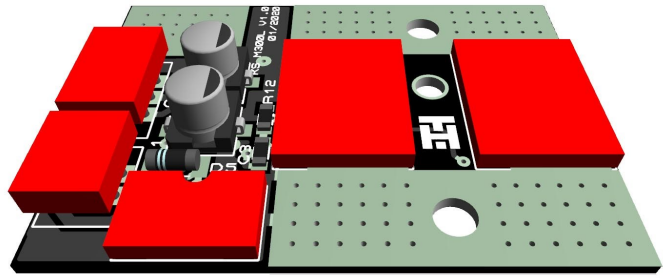




[www.thurbolt.com](http://www.thurbolt.com)



# THURBOLT Keyspark L600

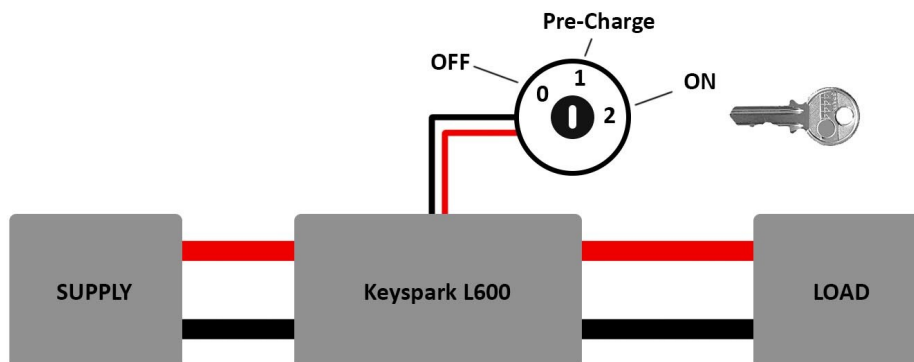
## 600A-Max Antispark Switch with key activation

Capable of handling large capacitive loads (more than 6000uF), Keyspark L600 ensures a highly dependable, robust Antispark Switch solution for your electric skateboards, e-bikes, golf carts and so on. Being rated at a guaranteed 300A continuous current, It can deliver a continuous current of 600A max. Pulse current capability is more than 1000A.

### Thurbolt L600 Antispark Switch Specifications

Continuous Guaranteed Current	300A
Max Continuous Current	600A
Max Pulse Current	>1000A
Max Voltage	80V
Max Series Li-Ion Cells	17 S
Pre-Charge Type	With precharge resistor
Max Pre-charge Capacitive Load	>6000uF
Main Mosfets	FDBL86361 Power Trench N-Channel
Mosfet Drive Type	Low Side
Activation & Deactivation	Key activation, OFF-Precharge-ON, ON-Precharge-OFF
Dimensions	53x37x5mm

### Connection and Function Diagram



Visit [www.thurbolt.com](http://www.thurbolt.com) to view complete product portfolio.

Web: [thurbolt.com](http://thurbolt.com)